



---

**EN** Hob  
**FR** Table de cuisson

---

User Manual 2  
Notice d'utilisation 17

## CONTENTS

Safety information	2	Hints and tips	12
Safety instructions	4	Care and cleaning	12
Installation	6	Troubleshooting	14
Product description	10	Technical data	15
Daily use	10		

Subject to change without notice.

## SAFETY INFORMATION

Before the installation and use of the appliance, carefully read the supplied instructions. The manufacturer is not responsible for any injuries or damages that are the result of incorrect installation or usage. Always keep the instructions in a safe and accessible location for future reference.

### **Children and vulnerable people safety**

- This appliance can be used by children aged from 8 years and above and persons with reduced physical, sensory or mental capabilities or lack of experience and knowledge if they have been given supervision or instruction concerning the use of the appliance in a safe way and understand the hazards involved.
- Children between 3 and 8 years of age and persons with very extensive and complex disabilities shall be kept away unless continuously supervised.
- Children of less than 3 years of age should be kept away unless continuously supervised.
- Do not let children play with the appliance.
- Keep all packaging away from children and dispose of it appropriately.
- Keep children and pets away from the appliance when it operates or when it cools down. Accessible parts are hot.
- If the appliance has a child safety device, it should be activated.
- Children shall not carry out cleaning and user maintenance of the appliance without supervision.

## General Safety

- **WARNING:** The appliance and its accessible parts become hot during use. Care should be taken to avoid touching heating elements.
- Do not operate the appliance by means of an external timer or separate remote-control system.
- **WARNING:** Unattended cooking on a hob with fat or oil can be dangerous and may result in fire.
- **NEVER** try to extinguish a fire with water, but switch off the appliance and then cover flame e.g. with a lid or a fire blanket.
- **CAUTION:** The cooking process has to be supervised. A short term cooking process has to be supervised continuously.
- **WARNING:** Danger of fire: Do not store items on the cooking surfaces.
- Metallic objects such as knives, forks, spoons and lids should not be placed on the hob surface since they can get hot.
- Do not use a steam cleaner to clean the appliance.
- If the supply cord is damaged, it must be replaced by the manufacturer, an authorized Service or similarly qualified persons in order to avoid a hazard.
- Where the appliance is directly connected to the power supply, an all-pole isolating switch with a contact gap is required. Complete disconnection in compliance with the conditions specified in overvoltage category III must be guaranteed. The earth cable is excluded from this.
- When you route the mains cable, make sure that the cable doesn't come into direct contact (for example using insulating sleeving) with parts that can reach temperatures of more than 50°C above room temperature.
- **WARNING:** Use only hob guards designed by the manufacturer of the cooking appliance or indicated by the manufacturer of the appliance in the instructions for use as

suitable or hob guards incorporated in the appliance. The use of inappropriate guards can cause accidents.

## SAFETY INSTRUCTIONS

---

This appliance is suitable for the following markets: **MA** **TN**

### Installation



**WARNING!** Only a qualified person must install this appliance.



**WARNING!** Risk of injury or damage to the appliance.

- Remove all the packaging.
  - Do not install or use a damaged appliance.
  - Follow the installation instructions supplied with the appliance.
  - Keep the minimum distance from other appliances and units.
  - Always take care when moving the appliance as it is heavy. Always use safety gloves and enclosed footwear.
  - Seal the cut surfaces with a sealant to prevent moisture to cause swelling.
  - Protect the bottom of the appliance from steam and moisture.
  - Do not install the appliance adjacent to a door or under a window. This prevents hot cookware falling from the appliance when the door or the window is opened.
  - If the appliance is installed above drawers make sure that the space, between the bottom of the appliance and the upper drawer, is sufficient for air circulation.
  - The bottom of the appliance can get hot. Make sure to install a non-combustible separation panel under the appliance to prevent access to the bottom.
- All electrical connections should be made by a qualified electrician.
  - The appliance must be earthed.
  - Before carrying out any operation make sure that the appliance is disconnected from the power supply.
  - Make sure that the parameters on the rating plate are compatible with the electrical ratings of the mains power supply.
  - Make sure the appliance is installed correctly. Loose and incorrect electricity mains cable or plug (if applicable) can make the terminal become too hot.
  - Use the correct electricity mains cable.
  - Do not let the electricity mains cable tangle.
  - Make sure that a shock protection is installed.
  - Use the strain relief clamp on the cable.
  - Make sure the mains cable or plug (if applicable) does not touch the hot appliance or hot cookware, when you connect the appliance to the near sockets.
  - Do not use multi-plug adapters and extension cables.
  - Make sure not to cause damage to the mains plug (if applicable) or to the mains cable. Contact our Authorised Service Centre or an electrician to change a damaged mains cable.
  - The shock protection of live and insulated parts must be fastened in such a way that it cannot be removed without tools.
  - Connect the mains plug to the mains socket only at the end of the installation. Make sure that there is access to the mains plug after the installation.
  - If the mains socket is loose, do not connect the mains plug.
  - Do not pull the mains cable to disconnect the appliance. Always pull the mains plug.

### Electrical Connection



**WARNING!** Risk of fire and electric shock.

- Use only correct isolation devices: line protecting cut-outs, fuses (screw type fuses removed from the holder), earth leakage trips and contactors.
- The electrical installation must have an isolation device which lets you disconnect the appliance from the mains at all poles. The isolation device must have a contact opening width of minimum 3 mm.
- Do not operate the appliance with wet hands or when it has contact with water.
- Do not use the appliance as a work surface or as a storage surface.
- When you place food into hot oil, it may splash.



**WARNING!** Risk of fire and explosion

## Gas connection

- All gas connections should be made by a qualified person.
- Before installation, make sure that the local distribution conditions (nature of the gas and gas pressure) and the adjustment of the appliance are compatible.
- Make sure that there is air circulation around the appliance.
- The information about the gas supply is on the rating plate.
- This appliance is not connected to a device, which evacuates the products of combustion. Make sure to connect the appliance according to current installation regulations. Pay attention to requirements regarding adequate ventilation.

- Fats and oil when heated can release flammable vapours. Keep flames or heated objects away from fats and oils when you cook with them.
- The vapours that very hot oil releases can cause spontaneous combustion.
- Used oil, that can contain food remnants, can cause fire at a lower temperature than oil used for the first time.
- Do not put flammable products or items that are wet with flammable products in, near or on the appliance.



**WARNING!** Risk of damage to the appliance.

## Use



**WARNING!** Risk of injury, burns and electric shock.

- Remove all the packaging, labelling and protective film (if applicable) before first use.
- This appliance is for household use only.
- Do not change the specification of this appliance.
- Make sure that the ventilation openings are not blocked.
- Do not let the appliance stay unattended during operation.
- Set the cooking zone to "off" after each use.
- Do not put cutlery or saucepan lids on the cooking zones. They can become hot.
- Do not keep hot cookware on the control panel.
- Do not let cookware to boil dry.
- Be careful not to let objects or cookware fall on the appliance. The surface can be damaged.
- Do not activate the cooking zones with empty cookware or without cookware.
- Do not put aluminium foil on the appliance.
- Use only stable cookware with the correct shape and diameter larger than the dimensions of the burners.
- Make sure cookware is centrally positioned on the burners.
- Do not use large cookware that overlap the edges of the appliance. This can cause damage to the worktop surface.
- Make sure the flame does not go out when you quickly turn the knob from the maximum to the minimum position.
- Use only the accessories supplied with the appliance.
- Do not install a flame diffuser on the burner.

- The use of a gas cooking appliance results in the production of heat and moisture. Provide good ventilation in the room where the appliance is installed.
- Prolonged intensive use of the appliance may call for additional ventilation, for example opening of a window, or more effective ventilation, for example increasing the level of mechanical ventilation where present.
- This appliance is for cooking purposes only. It must not be used for other purposes, for example room heating.
- Do not let acid liquids, for example vinegar, lemon juice or limescale remover, touch the hob. This can cause matt patches.
- Discoloration of the enamel or stainless steel has no effect on the performance of the appliance.

- Deactivate the appliance and let it cool down before you clean it.
- Disconnect the appliance from the electrical supply before maintenance.
- Do not use water spray and steam to clean the appliance.
- Clean the appliance with a moist soft cloth. Only use neutral detergents. Do not use any abrasive products, abrasive cleaning pads, solvents or metal objects.
- Do not clean the burners in the dishwasher.

### Care and cleaning



**WARNING!** Do not remove the buttons, knobs or gaskets from the control panel. Water may get inside the appliance and cause damage.

- Clean the appliance regularly to prevent the deterioration of the surface material.

### Service

- To repair the appliance contact an Authorised Service Centre.
- Use original spare parts only.

### Disposal



**WARNING!** Risk of injury or suffocation.

- Contact your municipal authority for information on how to discard the appliance correctly.
- Disconnect the appliance from the mains supply.
- Cut off the mains electrical cable close to the appliance and dispose of it.
- Flat the external gas pipes.

## INSTALLATION

---



**WARNING!** Refer to Safety chapters.

### Before the installation

Before you install the hob, write down the information bellow from the rating plate. The rating plate is on the bottom of the hob.

Model .....

PNC .....

Serial number .....

### Gas Connection

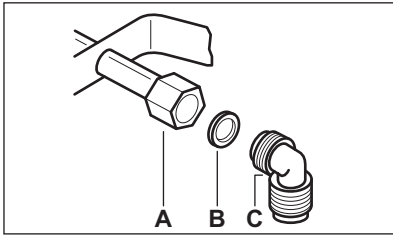


**WARNING!** The following instructions about installation, connection and maintenance must be carried out by qualified personnel in compliance with standards and local regulations in force.

Choose fixed connections or use a flexible pipe in stainless steel in compliance with the regulation in force. If you use flexible metallic pipes, be careful they do not come in touch with mobile parts or they are not squeezed. Also be careful when the hob is put together with an oven.



Make sure that the gas supply pressure of the appliance obeys the recommended values. The adjustable connection is fixed to the comprehensive ramp by means of a threaded nut G 1/2". Screw the parts without force, adjust the connection in the necessary direction and tighten everything.



- A. End of shaft with nut
- B. Washer supplied with the appliance
- C. Elbow supplied with the appliance

### Liquid gas

Use the rubber pipe holder for liquid gas. Always engage the gasket. Then continue with the gas connection.

The flexible pipe is prepared for apply when:

- it can not get hot more than room temperature, higher than 30°C;
- it is no longer than 1500 mm;
- it shows no throttles;
- it is not subject to traction or torsion;
- it does not get in touch with cutting edges or corners;
- it can be easily examined in order to make sure its condition.

The control of preservation of the flexible pipe consists in checking that:

- it does not show cracks, cuts, marks of burnings on the two ends and on its full length;
- the material is not hardened, but shows its correct elasticity;
- the fastening clamps are not rusted;
- expired term is not due.

If one or more defects are visible, do not repair the pipe, but replace it.



**WARNING!** When installation is complete, make sure that the seal of each pipe fitting is correct. Use a soapy solution, not a flame!

### Injectors replacement

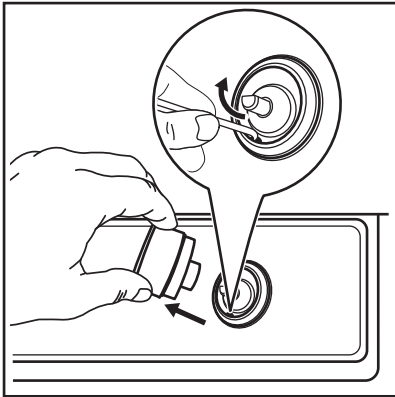
1. Remove the pan supports.
2. Remove the caps and crowns of the burner.
3. With a socket spanner 7 remove the injectors and replace them with the ones which are necessary for the type of gas you use (see table in "Technical Data" chapter).
4. Assemble the parts, follow the same procedure backwards.
5. Attach the label with the new type of gas supply near the gas supply pipe. You can find this label in the package supplied with the appliance.

If the supply gas pressure is changeable or different from the necessary pressure, you must fit an applicable pressure adjuster on the gas supply pipe.

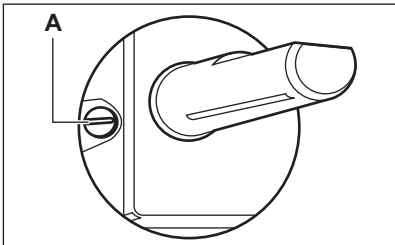
### Adjustment of minimum level

To adjust the minimum level of the burners:

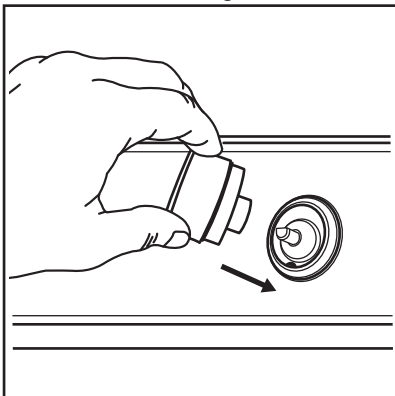
1. Light the burner.
2. Turn the knob on the minimum position.
3. Remove the knob and the gasket.



4. With a thin screwdriver, adjust the bypass screw position (A).



5. If you change:
- from natural gas G20 20 mbar to liquid gas, fully tighten the bypass screw in.
  - from liquid gas to natural gas G20 20 mbar, undo the bypass screw approximately 1/4 of a turn (1/2 of a turn for Multi Crown burner).
6. Reassemble the gasket and the knob.



**WARNING!** Make sure the flame does not go out when you quickly turn the knob from the maximum position to the minimum position.

## Electrical connection

- Make sure that the rated voltage and type of power on the rating plate agree with the voltage and the power of the local power supply.
- This appliance is supplied with a mains cable. It has to be supplied with a correct plug which can hold the load that the rating plate rates. Make sure that you install the plug in a correct socket.
- Always use a correctly installed shockproof socket.
- Make sure that there is an access to the mains plug after the installation.
- Do not pull the mains cable to disconnect the appliance. Always pull the mains plug.
- There is a risk of fire when the appliance is in connection with an extension cable, an adapter or a multiple connection. Make sure that the ground connection agrees with the standards and regulations.
- Do not let the power cable to heat up to a temperature higher than 90° C.



Make sure that you connect the blue neutral cable to the terminal with a letter "N" on it. Connect the brown (or black) phase cable to the terminal which has a letter "L". Keep the phase cable connected at all times.

## Connection cable

To replace the connection cable use only the special cable or its equivalent. The cable type is: H03V2V2-F T90.

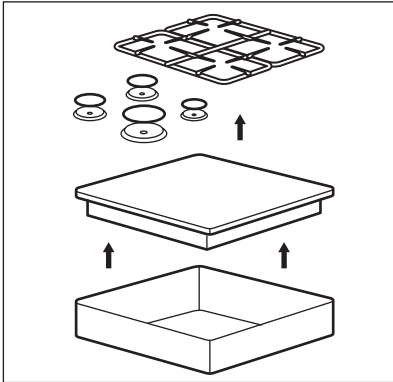
Make sure that the cable section is applicable to the voltage and the working temperature. The yellow / green earth wire



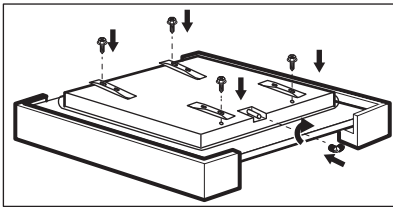
must be approximately 2 cm longer than the brown (or black) phase wire.

## Assembly

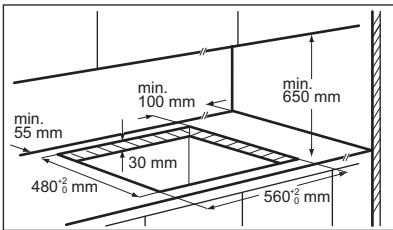
1.



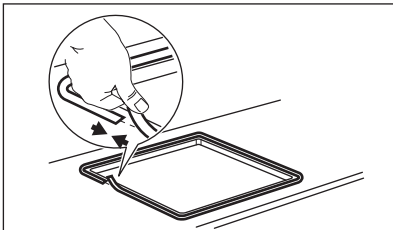
2.



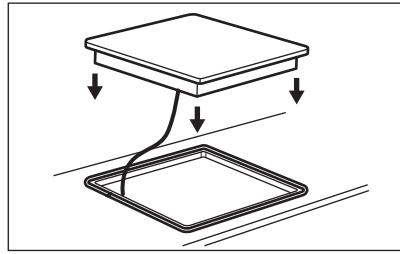
3.



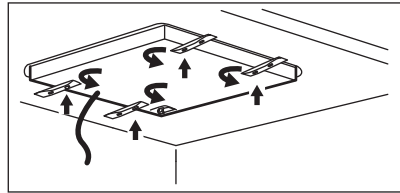
4.



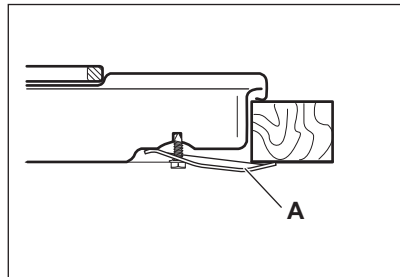
5.



6.

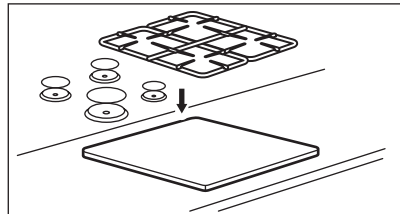


7.



A) supplied bracket

8.

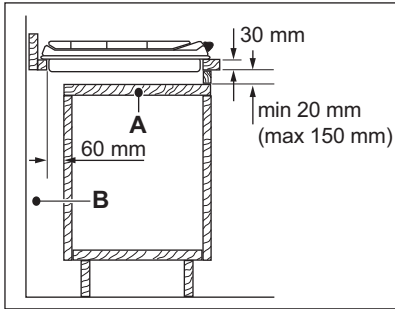


**CAUTION!** Install the appliance only on a worktop with flat surface.

## Possibilities for insertion

The panel installed below the hob must be easy to remove and let an easy access in case a technical assistance intervention is necessary.

**Kitchen unit with door**



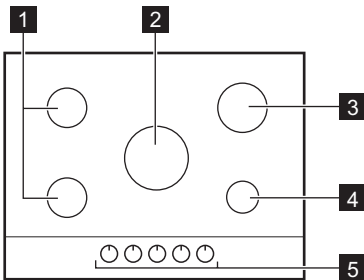
- A.** Removable panel
- B.** Space for connections

**Kitchen unit with oven**

The electrical connection of the hob and the oven must be installed separately for safety reasons and to let easy remove oven from the unit.

**PRODUCT DESCRIPTION**

**Cooking surface layout**



- 1** Semi-rapid burner
- 2** Multi Crown burner
- 3** Rapid burner
- 4** Auxiliary burner
- 5** Control knobs

**Control knob**

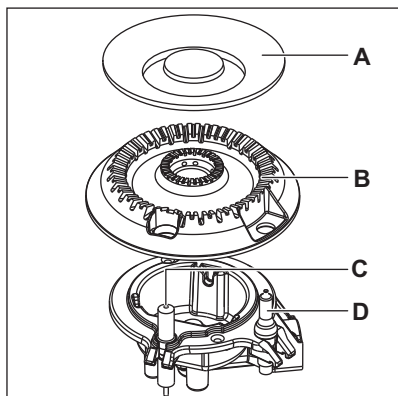
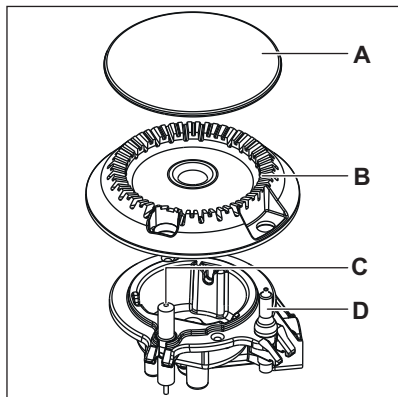
Symbol	Description
	no gas supply / off position

Symbol	Description
	ignition position / maximum gas supply
	minimum gas supply

**DAILY USE**

**WARNING!** Refer to Safety chapters.

## Burner overview



- A. Burner cap
- B. Burner crown
- C. Ignition candle
- D. Thermocouple

## Ignition of the burner

- i** Always light the burner before you put on the cookware.

**!** **WARNING!** Be very careful when you use open fire in the kitchen environment. The manufacturer declines any responsibility in case of the flame misuse.

1. Push the control knob down and turn it counterclockwise to the maximum gas supply position (ⓘ).
2. Keep the control knob pushed for equal or less than 10 seconds. This lets the thermocouple warm up. If not, the gas supply is interrupted.
3. Adjust the flame after it is regular.

- i** If after some tries the burner does not light, check if the crown and its cap are in correct positions.



**WARNING!** Do not keep the control knob pushed for more than 15 seconds. If the burner does not light after 15 seconds, release the control knob, turn it into off position and try to light the burner again after minimum 1 minute.



**CAUTION!** In the absence of electricity you can ignite the burner without electrical device; in this case approach the burner with a flame, turn the control knob counter-clockwise to maximum gas supply position and push it down. Keep the control knob pushed for equal or less than 10 seconds to let the thermocouple warm up.

- i** If the burner accidentally goes out, turn the control knob to the off position and try to light the burner again after minimum 1 minute.

- i** The spark generator can start automatically when you switch on the mains, after installation or a power cut. It is normal.

- i** The hob is supplied with the progressive valves. They make the flame regulation more precise.

## Turning the burner off

To put the flame out, turn the knob to the off position ●.



**WARNING!** Always turn the flame down or switch it off before you remove the pans from the burner.

## HINTS AND TIPS



**WARNING!** Refer to Safety chapters.

### Cookware



**CAUTION!** Do not use cast iron pans, clay or earthenware pots, grill or toaster plates. The stainless steel can become tarnished if it is too much heated.



**WARNING!** Do not put the same pan on two burners.



**WARNING!** Do not put unstable or damaged pots on the burner to prevent spills and injuries.



**CAUTION!** Make sure that the bottoms of pots do not stand too close to the control knob, otherwise the flame heats the control knob up.



**CAUTION!** Make sure that pot handles are not above the front edge of the cooktop.



**CAUTION!** Make sure that the pots are placed centrally on the burner in order to get the maximum stability and a lower gas consumption.

### Energy saving

- If it is possible, always put the lids on the cookware.
- When the liquid starts to boil, turn down the flame to barely simmer the liquid.

### Diameters of cookware



Use cookware with diameters applicable to the size of burners.

Burner	Diameter of cookware (mm)
Multi Crown	180 - 260
Rapid	180 - 260
Semi-rapid	120 - 240
Auxiliary	80 - 180

## CARE AND CLEANING



**WARNING!** Refer to Safety chapters.

### General information

- Clean the hob after each use.
- Always use cookware with a clean base.
- Scratches or dark stains on the surface have no effect on how the hob operates.

- Use a special cleaner suitable for the surface of the hob.

### Stainless steel

- Wash stainless steel parts with water, and then dry them with a soft cloth.
- To remove burnt food, fat and stubborn stains let them soak in a small amount of mild detergent for a few minutes before cleaning.
- Use cleaning products designed specifically for cleaning stainless steel in order to protect the steel surfaces.

- Do not use cleaning products containing corrosive chemicals such as chlorides, do not clean the surface with disinfectants, stain or rust removers and immersion cleaners.

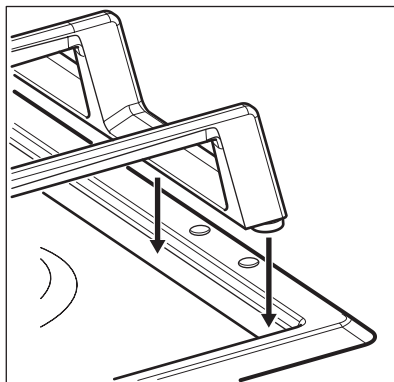
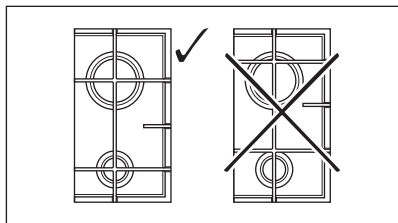
## Pan supports

**i** The pan supports are not resistant to washing in a dishwasher. They must be washed by hand.

1. Remove the pan supports to easily clean the hob.

**i** Be very careful when you replace the pan supports to prevent the hob top from damage.

2. The enamel coating occasionally can have rough edges, so be careful when you wash the pan supports by hand and dry them. If necessary, remove stubborn stains with a paste cleaner.
3. After you clean the pan supports, make sure that they are in correct positions.
4. For the burner to operate correctly, make sure that the arms of the pan supports are aligned with the centre of the burner.



## Cleaning the hob

- **Remove immediately:** melted plastic, plastic foil, sugar and food with sugar, otherwise, the dirt can cause damage to the hob. Take care to avoid burns.
- **Remove when the hob is sufficiently cool:** limescale rings, water rings, fat stains, shiny metallic discoloration. Clean the hob with a moist cloth and a non-abrasive detergent. After cleaning, wipe the hob dry with a soft cloth.
- To clean the enamelled parts, caps and crowns, wash them with warm soapy water and dry them carefully before you put them back on.

### Easy Clean Coating

- To clean the hob remove any food remains from the cooking surface.
- Clean the hob with warm water and a non-abrasive detergent.
- To dry the hob after cleaning wipe it with a soft cloth or chamois leather.
- To clean the Easy Clean surface everyday use a soft cloth moistened with water or a glass cleaner. We do not recommend the use of paper towels which can leave streaks on the surface.



**WARNING!** Harsh detergents and hard water can leave stains on the stainless steel surface.

## Cleaning the spark plug

This feature is obtained through a ceramic ignition candle with a metal electrode. Keep these components well clean to prevent difficult lighting and check that the burner crown holes are not obstructed.

## Periodic maintenance

Speak to your local Authorised Service Centre periodically to check the conditions of the gas supply pipe and the pressure adjuster, if fitted.

## TROUBLESHOOTING



**WARNING!** Refer to Safety chapters.

### What to do if...

Problem	Possible cause	Remedy
There is no spark when you try to activate the spark generator.	The hob is not connected to an electrical supply or it is connected incorrectly.	Check if the hob is correctly connected to the electrical supply.
	The fuse is blown.	Make sure that the fuse is the cause of the malfunction. If the fuse is blown again and again, contact a qualified electrician.
	Burner cap and crown are placed incorrectly.	Place the burner cap and crown correctly.
The flame extinguishes immediately after ignition.	Thermocouple is not heated up sufficiently.	After lighting the flame, keep the knob pushed for equal or less than 10 seconds.
The flame ring is uneven.	Burner crown is blocked with food residues.	Make sure that the injector is not blocked and the burner crown is clean.

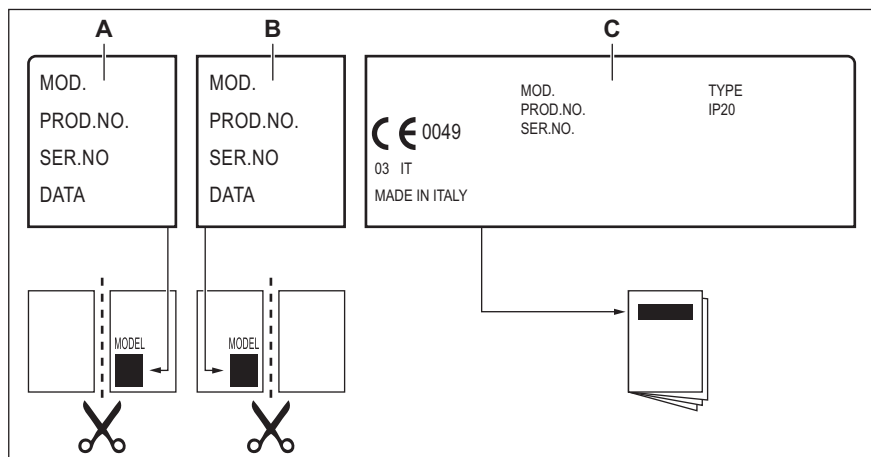
### If you cannot find a solution...

If you cannot find a solution to the problem yourself, contact your dealer or an Authorised Service Centre. Give the data from the rating plate. Make sure, you operated the hob correctly. If not the servicing by a service technician or dealer

will not be free of charge, also during the warranty period. The instructions about the Service Centre and conditions of guarantee are in the guarantee booklet.

## Labels supplied with the accessories bag

Stick the adhesive labels as indicated below:



**A.** Stick it on Guarantee Card and send this part (if applicable).

**B.** Stick it on Guarantee Card and keep this part (if applicable).

**C.** Stick it on instruction booklet.

## TECHNICAL DATA

### Hob dimensions

Width	745 mm
Depth	510 mm

### Bypass diameters

BURNER	Ø BYPASS 1/100 mm
Multi Crown	56
Rapid	50
Semi-rapid	35
Auxiliary	28

## Other technical data

TOTAL POWER:	Gas original:	G30/G31 (3B/P) 30/30 mbar	813 g/h
	Gas replacement:	G20 (2H) 20 mbar	11,65 kW
Electric supply:	220-240 V ~ 50-60 Hz		
Appliance category:	II2H3B/P		
Gas connection:	G 1/2"		
Appliance class:	3		


### Gas burners for LPG G30/G31 30/30 mbar


BURNER	NORMAL POWER kW	MINIMUM POWER kW	INJECTOR MARK	NOMINAL GAS FLOW g/h
Multi Crown	3,65	1,2	095	265
Rapid	2,85	0,95	86	207
Semi-rapid	1,85	0,6	71	134
Auxiliary	1,0	0,33	50	73

### Gas burners for NATURAL GAS G20 20 mbar

BURNER	NORMAL POWER kW	MINIMUM POWER kW	INJECTOR MARK
Multi Crown	4,0	1,4	146
Rapid	2,95	0,75	119°
Semi-rapid	1,85	0,6	92
Auxiliary	1,0	0,33	70

## ENVIRONMENTAL CONCERNS

Recycle materials with the symbol . Put the packaging in relevant containers to recycle it. Help protect the environment and human health by recycling waste of electrical and electronic appliances. Do

not dispose of appliances marked with the symbol  with the household waste. Return the product to your local recycling facility or contact your municipal office.



## TABLE DES MATIÈRES

Informations de sécurité	17	Conseils	28
Consignes de sécurité	19	Entretien et nettoyage	29
Installation	22	Dépannage	30
Description de l'appareil	26	Caractéristiques techniques	32
Utilisation quotidienne	26		

Sous réserve de modifications.

## ⚠ INFORMATIONS DE SÉCURITÉ

Avant d'installer et d'utiliser cet appareil, lisez soigneusement les instructions fournies. Le fabricant ne pourra être tenu pour responsable des blessures et dégâts résultant d'une mauvaise installation ou utilisation.

Conservez toujours les instructions dans un lieu sûr et accessible pour vous y référer ultérieurement.

### **Sécurité des enfants et des personnes vulnérables**

- Cet appareil peut être utilisé par des enfants de plus de 8 ans, ainsi que des personnes dont les capacités physiques, sensorielles et mentales sont réduites ou dont les connaissances et l'expérience sont insuffisantes, à condition d'être surveillés ou d'avoir reçu des instructions concernant l'utilisation sécurisée de l'appareil et de comprendre les risques encourus.
- Les enfants entre 3 et 8 ans et les personnes ayant un handicap très important et complexe doivent être tenus à l'écart, à moins d'être surveillés en permanence.
- Les enfants de moins de 3 ans doivent être tenus à l'écart, à moins d'être surveillés en permanence.
- Ne laissez pas les enfants jouer avec l'appareil.
- Ne laissez pas les emballages à la portée des enfants et jetez-les convenablement.
- Tenez les enfants et les animaux éloignés de l'appareil lorsqu'il est en cours de fonctionnement ou lorsqu'il refroidit. Les parties accessibles sont chaudes.
- Si l'appareil est équipé d'un dispositif de sécurité enfants, nous vous recommandons de l'activer.

- Les enfants ne doivent pas nettoyer ni entreprendre une opération de maintenance sur l'appareil sans surveillance.

## **Sécurité générale**

- **AVERTISSEMENT** : L'appareil et ses parties accessibles deviennent chauds pendant son fonctionnement. Veillez à ne pas toucher les éléments chauffants.
- Ne faites pas fonctionner l'appareil avec un minuteur externe ou un système de commande à distance.
- **AVERTISSEMENT** : Il peut être dangereux de laisser chauffer de la graisse ou de l'huile sans surveillance sur une table de cuisson car cela pourrait provoquer un incendie.
- N'essayez JAMAIS d'éteindre un feu avec de l'eau. Éteignez l'appareil puis couvrez les flammes, par exemple avec un couvercle ou une couverture ignifuge.
- **ATTENTION** : Toute cuisson doit être surveillée. Une cuisson courte doit être surveillée en permanence.
- **AVERTISSEMENT** : Risque d'incendie : N'entreposez rien sur les surfaces de cuisson.
- Ne posez pas d'objets métalliques tels que couteaux, fourchettes, cuillères ou couvercles sur la table de cuisson car ils pourraient chauffer.
- N'utilisez pas de nettoyeur vapeur pour nettoyer l'appareil.
- Si le câble d'alimentation est endommagé, il doit être remplacé par le fabricant, un service de maintenance agréé ou un technicien qualifié afin d'éviter tout danger.
- Si l'appareil est relié directement à l'alimentation électrique, installez un sectionneur avec une ouverture de contact. Il est indispensable de garantir une déconnexion complète conformément aux conditions de surtension de catégorie III. Le fil de terre n'est pas concerné.
- Lorsque vous acheminez le câble d'alimentation, assurez-vous qu'il n'entre pas en contact direct (par exemple, à l'aide d'un manchon isolant) avec des parties pouvant atteindre des températures supérieures de 50 °C à la température ambiante.

- **AVERTISSEMENT** : Utilisez uniquement les dispositifs de protection pour table de cuisson conçus ou indiqués comme adaptés par le fabricant de l'appareil de cuisson dans les instructions d'utilisation, ou les dispositifs de protection pour table de cuisson intégrés à l'appareil. L'utilisation de dispositifs de protection non adaptés peut entraîner des accidents.

## CONSIGNES DE SÉCURITÉ

---

Cet appareil est adapté aux marchés suivants: **MA** **TN**

### Installation



**AVERTISSEMENT!** L'appareil doit être installé uniquement par un professionnel qualifié.



**AVERTISSEMENT!** Risque de blessure corporelle ou de dommages matériels.

- Retirez l'intégralité de l'emballage.
- N'installez pas et ne branchez pas un appareil endommagé.
- Suivez scrupuleusement les instructions d'installation fournies avec l'appareil.
- Respectez l'espacement minimal requis par rapport aux autres appareils et éléments.
- Soyez toujours vigilants lorsque vous déplacez l'appareil car il est lourd. Utilisez toujours des gants de sécurité et des chaussures fermées.
- Isolez les surfaces découpées à l'aide d'un matériau d'étanchéité pour éviter que la moisissure ne provoque de gonflements.
- Protégez la partie inférieure de l'appareil de la vapeur et de l'humidité.
- N'installez pas l'appareil près d'une porte ou sous une fenêtre. Les récipients chauds risqueraient de tomber de l'appareil lors de l'ouverture de celles-ci.
- Si l'appareil est installé au-dessus de tiroirs, assurez-vous qu'il y a

suffisamment d'espace entre le fond de l'appareil et le tiroir supérieur pour que l'air puisse circuler.

- Le dessous de l'appareil peut devenir très chaud. Veillez à installer un panneau de séparation ignifuge sous l'appareil pour en bloquer l'accès.

### Branchement électrique



**AVERTISSEMENT!** Risque d'incendie ou d'électrocution.

- L'ensemble des branchements électriques doit être effectué par un technicien qualifié.
- L'appareil doit être relié à la terre.
- Avant toute intervention, assurez-vous que l'appareil est débranché.
- Vérifiez que les paramètres figurant sur la plaque signalétique correspondent aux données électriques de votre réseau.
- Assurez-vous que l'appareil est bien installé. Un câble d'alimentation lâche et inapproprié ou une fiche (si présente) non serrée peuvent être à l'origine d'une surchauffe des bornes.
- Utilisez le câble d'alimentation électrique approprié.
- Ne laissez pas le câble d'alimentation s'emmêler.
- Assurez-vous qu'une protection anti-électrocution est installée.
- Utilisez un collier anti-traction sur le câble.
- Assurez-vous que le câble d'alimentation ou la fiche (si présente) n'entrent pas en contact avec les

surfaces brûlantes de l'appareil ou les récipients brûlants lorsque vous branchez l'appareil à des prises électriques situées à proximité.

- N'utilisez pas d'adaptateurs multiprises ni de rallonges.
- Veillez à ne pas endommager la fiche secteur (si présente) ni le câble d'alimentation. Contactez notre service après-vente agréé ou un électricien pour remplacer le câble d'alimentation s'il est endommagé.
- La protection contre les chocs des parties sous tension et isolées doit être fixée de telle manière qu'elle ne peut pas être enlevée sans outils.
- Ne branchez la fiche d'alimentation à la prise de courant qu'à la fin de l'installation. Assurez-vous que la prise de courant est accessible une fois l'appareil installé.
- Si la prise de courant est lâche, ne branchez pas la fiche d'alimentation secteur.
- Ne tirez jamais sur le câble d'alimentation pour débrancher l'appareil. Tirez toujours sur la fiche.
- N'utilisez que des systèmes d'isolation appropriés : des coupe-circuits, des fusibles (les fusibles à visser doivent être retirés du support), un disjoncteur différentiel et des contacteurs.
- L'installation électrique doit être équipée d'un dispositif d'isolement à coupure omnipolaire. Le dispositif d'isolement doit présenter une distance d'ouverture des contacts d'au moins 3 mm.

## Raccordement au gaz

- Tous les raccordements au gaz doivent être effectués par une personne qualifiée.
- Avant l'installation, vérifiez que les conditions de distribution locales (nature et pression du gaz) sont compatibles avec le réglage de l'appareil.
- Assurez-vous que l'air circule autour de l'appareil.

- Les informations concernant l'alimentation en gaz se trouvent sur la plaque signalétique.
- Cet appareil n'est pas raccordé à un dispositif d'évacuation des produits de combustion. Assurez-vous de brancher l'appareil selon les réglementations d'installation en vigueur. Veillez à respecter les exigences en matière d'aération.

## Utilisation



**AVERTISSEMENT!** Risque de blessures, de brûlures ou d'électrocution.

- Avant la première utilisation, retirez les emballages, les étiquettes et les films de protection (si présents).
- Cet appareil est exclusivement destiné à une utilisation domestique.
- Ne modifiez pas les caractéristiques de cet appareil.
- Assurez-vous que les orifices de ventilation ne sont pas bouchés.
- Ne laissez jamais l'appareil sans surveillance pendant son fonctionnement.
- Éteignez les zones de cuisson après chaque utilisation.
- Ne posez pas de couverts ou de couvercles sur les zones de cuisson. Elles sont chaudes.
- N'utilisez jamais cet appareil avec les mains mouillées ou lorsqu'il est en contact avec de l'eau.
- N'utilisez jamais l'appareil comme plan de travail ou comme plan de stockage.
- Lorsque vous versez un aliment dans de l'huile chaude, elle peut éclabousser.



**AVERTISSEMENT!** Risque d'incendie et d'explosion.

- Les graisses et l'huile chaudes peuvent dégager des vapeurs inflammables. Tenez les flammes ou les objets chauds éloignés des graisses et de l'huile lorsque vous vous en servez pour cuisiner.

- Les vapeurs dégagées par l'huile très chaude peuvent provoquer une combustion spontanée.
- L'huile qui a servi contient des restes d'aliments pouvant provoquer un incendie à température plus faible que l'huile n'ayant jamais servi.
- Ne placez pas de produits inflammables ou d'éléments imbibés de produits inflammables à l'intérieur ou à proximité de l'appareil, ni sur celui-ci.



**AVERTISSEMENT!** Risque d'endommagement de l'appareil.

- Ne laissez pas de récipients chauds sur le bandeau de commande.
- Ne laissez pas le contenu des récipients de cuisson s'évaporer complètement.
- Prenez soin de ne pas laisser tomber d'objets ou de récipients sur l'appareil. Sa surface risque d'être endommagée.
- Ne faites jamais fonctionner les zones de cuisson avec des récipients de cuisson vides ou sans aucun récipient de cuisson.
- Ne placez jamais de papier aluminium sur l'appareil.
- Utilisez uniquement des récipients stables ayant une forme adaptée et un diamètre supérieur à celui des brûleurs.
- Assurez-vous que les récipients sont placés au centre des brûleurs.
- N'utilisez pas de grand récipient dont les bords dépassent de l'appareil. Vous risqueriez d'endommager la surface du plan de travail.
- Assurez-vous que la flamme ne s'éteint pas lorsque vous tournez rapidement la manette de la position maximale à la position minimale.
- N'utilisez que les accessoires fournis avec l'appareil.
- N'installez pas de diffuseur de flamme sur le brûleur.
- L'utilisation d'un appareil de cuisson au gaz génère de la chaleur et de l'humidité. Veillez à ce que la pièce où est installé l'appareil soit bien aérée.

- L'utilisation intensive et prolongée de l'appareil peut nécessiter une ventilation supplémentaire comme l'ouverture d'une fenêtre, ou une aération plus efficace en augmentant par exemple la puissance de la ventilation mécanique si la pièce en est dotée.
- Cet appareil est exclusivement destiné à un usage culinaire. Ne l'utilisez pas pour des usages autres que celui pour lequel il a été conçu, à des fins de chauffage par exemple.
- Ne laissez pas de liquides acides, tels que du vinaigre, du jus de citron ou du produit détartrant, entrer en contact avec la table de cuisson. Cela peut provoquer l'apparition de taches mates.
- La décoloration de l'émail ou de l'acier inoxydable est sans effet sur les performances de l'appareil.

## Entretien et nettoyage



**AVERTISSEMENT!** Ne retirez pas les touches, manettes et joints du bandeau de commande. De l'eau pourrait s'infiltrer dans l'appareil et l'endommager.

- Nettoyez régulièrement l'appareil afin de maintenir le revêtement en bon état.
- Éteignez l'appareil et laissez-le refroidir avant de le nettoyer.
- Débranchez l'appareil de l'alimentation électrique avant toute opération de maintenance.
- Ne pulvérisez pas d'eau ni de vapeur pour nettoyer l'appareil.
- Nettoyez l'appareil avec un chiffon doux humide. Utilisez uniquement des produits de lavage neutres. N'utilisez pas de produits abrasifs, de tampons à récurer, de solvants ni d'objets métalliques.
- Ne lavez pas les brûleurs au lave-vaisselle.

## Maintenance

- Pour réparer l'appareil, contactez un service après-vente agréé.

- Utilisez exclusivement des pièces d'origine.

## Mise au rebut



**AVERTISSEMENT!** Risque de blessure ou d'asphyxie.

- Contactez votre service municipal pour obtenir des informations sur la marche à suivre pour mettre l'appareil au rebut.

- Débranchez l'appareil de l'alimentation électrique.
- Coupez le câble d'alimentation au ras de l'appareil et mettez-le au rebut.
- Aplatissez les tuyaux de gaz externes.

## INSTALLATION



**AVERTISSEMENT!** Reportez-vous aux chapitres concernant la sécurité.

### Avant l'installation

Avant d'installer la table de cuisson, notez les informations de la plaque signalétique ci-dessous. La plaque signalétique se trouve au bas de la table de cuisson.

Modèle .....  
 PNC .....  
 Numéro de série .....

### Raccordement au gaz

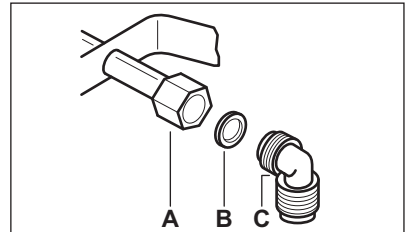


**AVERTISSEMENT!** Les instructions suivantes concernant l'installation, le raccordement et l'entretien de l'appareil doivent être effectuées par un professionnel qualifié selon les normes et règlements locaux en vigueur.

Effectuez un raccordement fixe (« rigide ») ou utilisez un tuyau flexible en acier inoxydable selon les normes en vigueur. Si vous utilisez des tuyaux flexibles métalliques, ils ne doivent pas entrer en contact avec des parties mobiles ni être comprimés. Soyez également vigilant lorsque la table est installée avec un four.



Assurez-vous que la pression de l'alimentation en gaz de l'appareil correspond aux valeurs recommandées. Le raccordement réglable est relié à la rampe complète par un écrou fileté G 1/2 po. Vissez les pièces sans forcer, ajustez le raccordement dans le sens souhaité, puis serrez le tout.



- A.** Extrémité du tuyau avec écrou
- B.** Joint fourni avec l'appareil
- C.** Coude fourni avec l'appareil

### Gaz liquéfié

Utilisez un support de tuyau en caoutchouc pour le gaz liquéfié. Intercalez toujours le joint. Continuez alors le raccordement au gaz.

L'utilisation d'un tuyau flexible s'applique lorsque :

- il ne peut pas devenir plus chaud que la température ambiante, à savoir plus de 30 °C ;
- il n'est pas plus long que 1 500 mm ;
- il ne montre aucun étranglement ;

- il n'est soumis à aucune traction ni aucune torsion ;
- il n'entre pas en contact avec des bords ni des coins tranchants ;
- il peut être facilement contrôlé sur toute sa longueur afin de vérifier son état.

Vérifiez les points suivants pour contrôler le bon état du tuyau flexible :

- il ne présente aucune fente, coupure, marque de brûlure sur les deux extrémités et sur toute sa longueur ;
- le matériau n'est pas durci, mais présente une élasticité correcte ;
- les colliers de serrage ne sont pas rouillés ;
- la date d'expiration n'est pas dépassée.

Si vous constatez au moins un de ces défauts, ne réparez pas le tuyau, mais remplacez-le.



**AVERTISSEMENT!** Lorsque l'installation est terminée, assurez-vous que chaque raccord est étanche. Utilisez une solution savonneuse et pas de flamme !

## Remplacement des injecteurs

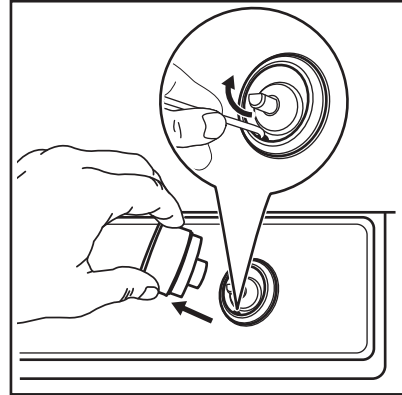
1. Démontez les supports des casseroles.
2. Démontez les chapeaux et les couronnes du brûleur.
3. À l'aide d'une clé de 7, démontez les injecteurs et remplacez-les par ceux qui sont nécessaires pour le type de gaz que vous utilisez (voir le tableau dans le chapitre « Données techniques »).
4. Assemblez les pièces et suivez la même procédure dans l'ordre inverse.
5. Collez l'étiquette avec le nouveau type d'arrivée de gaz près du tuyau d'arrivée de gaz. Vous trouverez cette étiquette dans le sachet fourni avec l'appareil.

Si la pression de l'alimentation en gaz peut être modifiée ou est différente de la pression nécessaire, vous devez monter un système de réglage de la pression sur le tuyau d'arrivée de gaz.

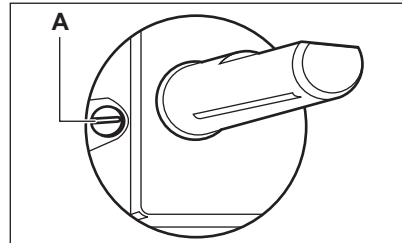
## Réglage du niveau minimal

Pour régler le niveau minimal des brûleurs :

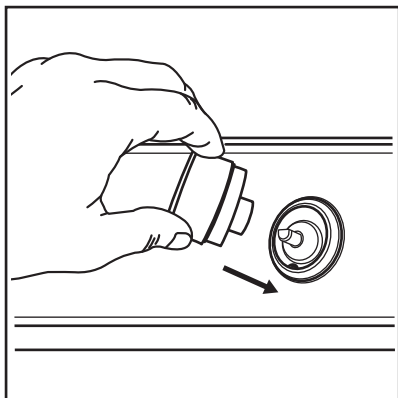
1. Allumez le brûleur.
2. Tournez la manette en position minimale.
3. Retirez la manette et le joint.



4. À l'aide d'un tournevis fin, ajustez la position de la vis de réglage (A).



5. Si vous passez :
  - du gaz naturel G20 20 mbar au gaz liquéfié, serrez entièrement la vis de réglage.
  - du gaz liquéfié au gaz naturel G20 20 mbar, dévissez la vis de réglage d'environ 1/4 de tour (1/2 tour pour un brûleur multi-couronne).
6. Réinstallez le joint et la manette.



**AVERTISSEMENT!** Assurez-vous que la flamme ne s'éteint pas lorsque vous tournez rapidement la manette de la position maximale à la position minimale.

## Connexion électrique

- Assurez-vous que la tension nominale et le type d'alimentation sur la plaque signalétique correspondent bien à la tension et à la puissance de l'alimentation locale.
- Cet appareil est fourni avec un câble d'alimentation. Une fiche appropriée, capable de supporter la charge indiquée sur la plaque signalétique, doit être adaptée au câble d'alimentation. Assurez-vous que la fiche est branchée dans une prise correcte.
- Branchez toujours la prise principale dans une prise correctement installée, protégée contre les chocs.
- Assurez-vous que la prise de courant est accessible une fois l'appareil installé.
- Pour débrancher l'appareil, ne tirez jamais sur le câble d'alimentation électrique. Tirez toujours sur la fiche pour la débrancher de la prise secteur.
- L'appareil ne doit pas être raccordé à l'aide d'un prolongateur, d'un adaptateur ni d'une prise multiple (risque d'incendie). Assurez-vous que

le raccordement à la terre est conforme aux normes et réglementations.

- Le câble d'alimentation ne doit pas être exposé à une température supérieure à 90 °C.



Assurez-vous de connecter le câble neutre bleu à la borne portant la lettre « N ». Connectez le câble de phase marron (ou noir) à la borne portant la lettre « L ». Le câble de phase doit rester connecté en permanence.

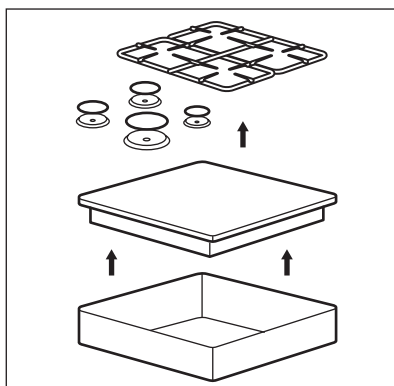
## Câble d'alimentation

Pour remplacer le câble d'alimentation, utilisez uniquement le câble spécial ou son équivalent. Le type de câble est : H03V2V2-F T90.

Assurez-vous que la section du câble convient à la tension et à la température de fonctionnement. Le câble de terre jaune/vert doit être plus long d'environ 2 cm que le câble de phase marron (ou noir).

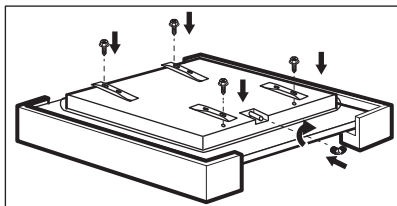
## Montage

1.

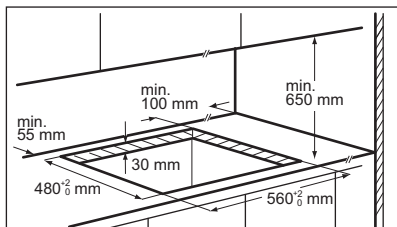




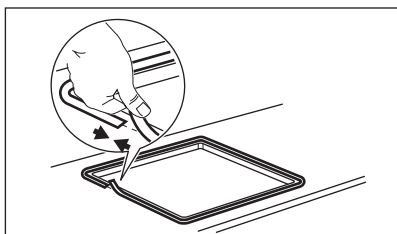
2.



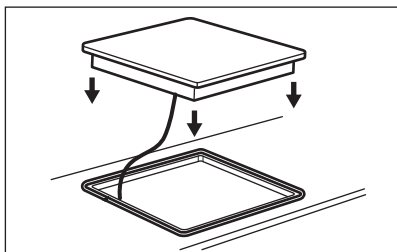
3.



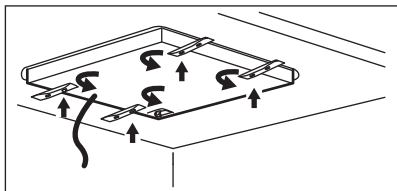
4.



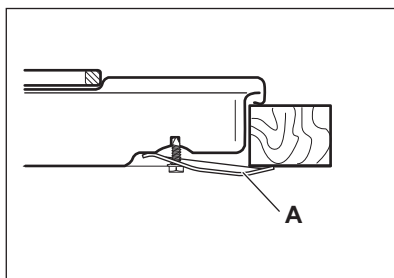
5.



6.

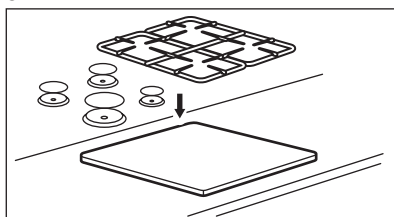


7.



A) équerre fournie

8.

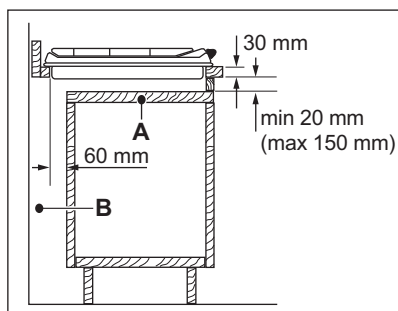


**ATTENTION!** Installez l'appareil uniquement sur un plan de travail dont la surface est plane.

## Possibilités d'insertion

Le panneau installé sous la table de cuisson doit être facile à retirer et facilement accessible au cas où une intervention technique serait nécessaire.

## Élément de cuisine avec une porte



A. Panneau amovible

B. Espace pour les branchements

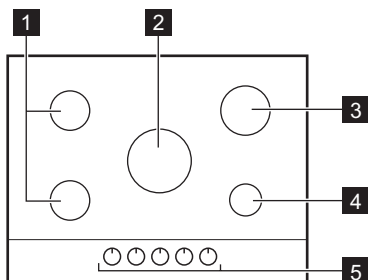
## Élément de cuisine avec four

Les branchements électriques de la table de cuisson et du four doivent être installés séparément pour des raisons de sécurité

et pour permettre un retrait facile du four de l'ensemble.



## DESCRIPTION DE L'APPAREIL


### Description de la table de cuisson



- 1** Brûleur semi-rapide
- 2** Brûleur multi-couronne
- 3** Brûleur rapide
- 4** Brûleur auxiliaire
- 5** Manettes de commande

### Manette de commande

Symbole	Description
	pas d'alimentation en gaz / position Arrêt
	position d'allumage / alimentation en gaz maximale

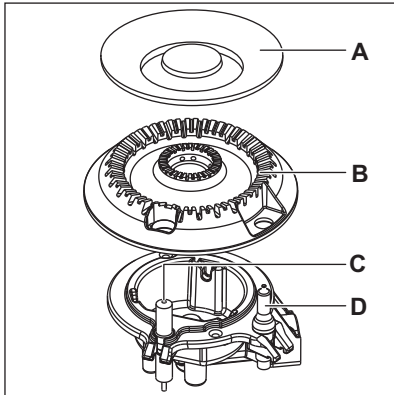
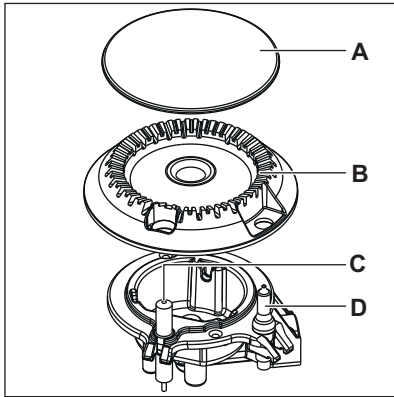
Symbole	Description
	alimentation en gaz minimale

## UTILISATION QUOTIDIENNE



**AVERTISSEMENT!** Reportez-vous aux chapitres concernant la sécurité.

## Vue d'ensemble des brûleurs



- A. Chapeau du brûleur
- B. Couronne du brûleur
- C. Bougie d'allumage
- D. Thermocouple

## Allumage du brûleur



Allumez toujours le brûleur avant de poser un récipient dessus.



**AVERTISSEMENT!** Faites très attention lorsque vous utilisez une flamme nue dans une cuisine. Le fabricant décline toute responsabilité en cas de mauvaise utilisation de la flamme.

1. Enfoncez la manette et tournez-la vers la gauche jusqu'à la position d'arrivée de gaz maximale (A).
2. Maintenez la manette enfoncée pendant 10 secondes environ. Cela permet au thermocouple de chauffer. Sinon, l'alimentation en gaz est interrompue.
3. Une fois que la flamme brûle régulièrement, réglez son débit.



Si, après plusieurs tentatives, le brûleur ne s'allume pas, vérifiez que la couronne et son chapeau sont correctement placés.



**AVERTISSEMENT!** Ne maintenez pas la manette de commande enfoncée plus de 15 secondes. Si le brûleur ne s'allume pas au bout de 15 secondes, relâchez la manette de commande, tournez-la sur la position d'arrêt et attendez au moins 1 minute avant de réessayer d'allumer le brûleur.



**ATTENTION!** En cas de coupure d'électricité, vous pouvez allumer le brûleur sans dispositif électrique : pour cela, approchez une flamme du brûleur, tournez la manette vers la gauche jusqu'à la position d'arrivée de gaz maximale et enfoncez-la. Maintenez la manette de commande enfoncée pendant environ 10 secondes pour permettre au thermocouple de chauffer.



Si le brûleur s'éteint accidentellement, tournez la manette de commande sur la position Arrêt et attendez au moins 1 minute avant de réessayer d'allumer le brûleur.



Le générateur d'étincelles peut s'activer automatiquement lorsque vous allumez l'alimentation secteur, après l'installation ou après une coupure de courant. C'est normal.



La table de cuisson est fournie avec les valves de distribution progressive. Elles rendent le réglage de la flamme plus précis.

## Arrêt du brûleur

Pour éteindre la flamme, tournez la manette sur la position Arrêt ●.



**AVERTISSEMENT!** Abaissez ou coupez toujours la flamme avant de retirer les récipients du brûleur.

## CONSEILS



**AVERTISSEMENT!** Reportez-vous aux chapitres concernant la sécurité.

### Récipients



**ATTENTION!** N'utilisez pas de plats en fonte, en argile, en grès, de grils ou de plats à gratin. L'acier inoxydable peut ternir s'il est trop chauffé.



**AVERTISSEMENT!** Ne placez pas le même récipient sur deux brûleurs.



**AVERTISSEMENT!** Ne placez pas de récipients instables ou déformés sur le brûleur afin d'éviter les débordements et les blessures.



**ATTENTION!** Assurez-vous que le fond des récipients ne se trouve pas trop près de la manette de commande sinon la flamme fait chauffer la manette.



**ATTENTION!** Assurez-vous que les poignées des récipients ne dépassent pas du devant de la table de cuisson.



**ATTENTION!** Assurez-vous que les récipients de cuisson sont bien centrés sur le brûleur afin de garantir leur stabilité et de réduire la consommation de gaz.

## Économies d'énergie

- Si possible, couvrez toujours les récipients avec un couvercle pendant la cuisson.
- Dès que le liquide commence à bouillir, baissez la flamme juste assez pour laisser le liquide frémir.

## Diamètres des récipients



Utilisez uniquement des récipients dont le diamètre correspond aux dimensions des brûleurs.

Brûleur	Diamètre du récipient (mm)
Multi couronne	180 - 260

Brûleur	Diamètre du récipient (mm)
Rapide	180 - 260
Semi-rapide	120 - 240
Auxiliaire	80 - 180

## ENTRETIEN ET NETTOYAGE



**AVERTISSEMENT!** Reportez-vous aux chapitres concernant la sécurité.

### Informations générales

- Nettoyez la table de cuisson après chaque utilisation.
- Utilisez toujours un récipient dont le fond est propre.
- Les rayures ou les taches sombres sur la surface n'ont aucune incidence sur le fonctionnement de la table de cuisson.
- Utilisez un nettoyant spécialement adapté à la surface de la table de cuisson.

### Inox

- Lavez les éléments en inox à l'eau, puis séchez-les à l'aide d'un chiffon doux.
- Pour retirer les résidus d'aliments et de graisses brûlés ou les taches tenaces, versez une petite quantité de détergent doux dessus et laissez-le agir pendant quelques minutes avant de nettoyer.
- Pour protéger les surfaces en acier, utilisez des produits nettoyants spécifiquement conçus pour le nettoyage de l'acier inoxydable.
- N'utilisez pas de produits nettoyants contenant des produits chimiques corrosifs comme le chlorure. Ne nettoyez pas la surface avec des produits désinfectants, des agents détachants ou anti-rouille, ou des produits de nettoyage par immersion.

### Supports de casserole



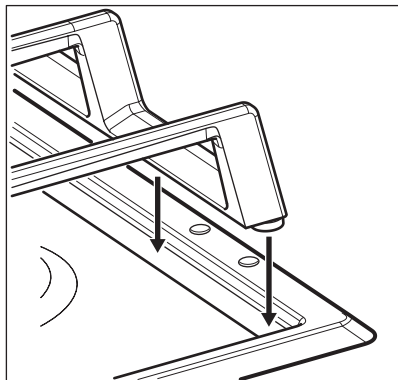
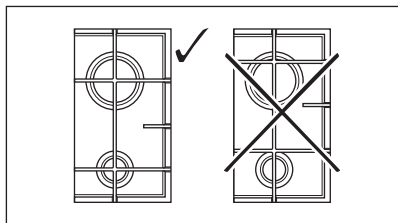
Les supports de casserole ne sont pas adaptés au lavage dans un lave-vaisselle. Ils doivent être lavés à la main.

1. Retirez les supports de casserole pour nettoyer plus facilement la table de cuisson.



Remplacez les supports de casserole avec soin afin de ne pas endommager le dessus de la table de cuisson.

2. Lorsque vous lavez les supports de casserole à la main, faites bien attention lorsque vous les essuyez, car le revêtement en émail peut présenter des bords coupants. Si nécessaire, retirez les taches tenaces à l'aide d'une pâte nettoyante.
3. Après avoir lavé les supports de casserole, veillez à les remettre correctement en place.
4. Pour que le brûleur fonctionne correctement, assurez-vous que les bras des supports de casserole sont alignés avec le centre du brûleur.



## Nettoyage de la table de cuisson

- **Enlevez immédiatement** : le plastique fondu, les feuilles de plastique, le sucre et les aliments contenant du sucre car la saleté peut endommager la table de cuisson. Veillez à ne pas vous brûler.
- **Une fois que la table de cuisson a suffisamment refroidi, enlevez** : traces de calcaire et d'eau, projections de graisse, décolorations métalliques luisantes. Nettoyez la table de cuisson à l'aide d'un chiffon humide et d'un détergent non abrasif. Après le nettoyage, séchez la table de cuisson à l'aide d'un chiffon doux.
- Nettoyez les éléments en émail, les chapeaux et les couronnes avec de

l'eau chaude savonneuse et séchez-les soigneusement avant de les remettre en place.

### Revêtement facile à nettoyer

- Pour nettoyer la table de cuisson, enlevez tous les résidus alimentaires de la surface de cuisson.
- Nettoyez la table de cuisson à l'eau chaude avec un détergent non abrasif.
- Pour sécher la table de cuisson après le nettoyage, utilisez un chiffon doux ou une peau de chamois.
- Pour nettoyer la surface facile à nettoyer au quotidien, utilisez un chiffon doux avec de l'eau ou un produit pour vitres. Nous ne vous conseillons pas d'utiliser du papier absorbant qui peut laisser des traces sur la surface.



**AVERTISSEMENT!** Des détergents agressifs et une eau dure peuvent laisser des taches sur la surface en acier inoxydable.

## Nettoyage de la bougie d'allumage

Cette fonctionnalité est obtenue grâce à une bougie d'allumage en céramique dotée d'une électrode en métal. Veillez à maintenir ces composants propres afin de faciliter l'allumage. Assurez-vous également que les orifices des couronnes des brûleurs ne sont pas obstrués.

## Entretien périodique

Contactez périodiquement votre service après-vente pour contrôler l'état du tuyau d'arrivée de gaz et du régulateur de pression si votre installation en est équipée.

## DÉPANNAGE



**AVERTISSEMENT!** Reportez-vous aux chapitres concernant la sécurité.

## Que faire, quand...

Problème	Cause probable	Solution
Aucune étincelle ne se produit lorsque vous tentez d'actionner le générateur d'étincelles.	La table de cuisson n'est pas connectée à une source d'alimentation électrique, ou le branchement est incorrect.	Vérifiez que la table de cuisson est correctement branchée à une source d'alimentation électrique.
	Le fusible a disjoncté.	Vérifiez que le fusible est bien la cause de l'anomalie. Si les fusibles disjonctent de manière répétée, faites appel à un électricien qualifié.
	Le chapeau et la couronne du brûleur sont mal positionnés.	Positionnez correctement le chapeau et la couronne du brûleur.
La flamme s'éteint immédiatement après s'être allumée.	Le thermocouple n'est pas suffisamment chaud.	Maintenez la manette enfoncée pendant 10 secondes maximum une fois la flamme allumée.
La couronne de flamme n'est pas de niveau.	La couronne du brûleur est encrassée par des résidus alimentaires.	Assurez-vous que l'injecteur n'est pas bouché et que la couronne est propre.

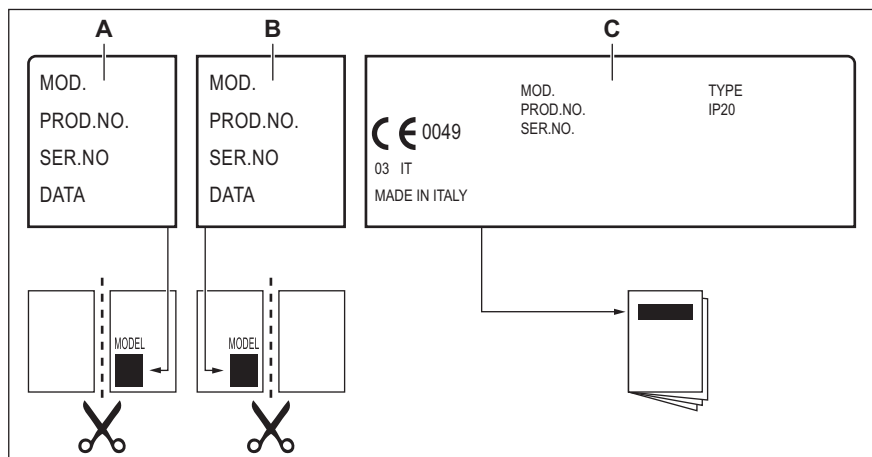
### Si vous ne trouvez pas de solution...

Si vous ne trouvez pas de solution au problème, veuillez contacter votre revendeur ou un service après-vente agréé. Veuillez lui fournir les informations se trouvant sur la plaque signalétique. Assurez-vous d'utiliser correctement l'appareil. En cas d'erreur de manipulation

de la part de l'utilisateur, le déplacement du technicien du service après-vente ou du vendeur pourra être facturé, même en cours de garantie. Les instructions relatives au service après-vente et aux conditions de garantie figurent dans le livret de garantie.

## Étiquettes fournies dans le sachet des accessoires

Collez les étiquettes adhésives comme indiqué ci-dessous :



**A.** Collez-la sur la carte de garantie et envoyez cette partie (le cas échéant).

**B.** Collez-la sur la carte de garantie et conservez cette partie (le cas échéant).

**C.** Collez-la sur la notice d'utilisation.

## CARACTÉRISTIQUES TECHNIQUES

### Dimensions de la table de cuisson

Largeur	745 mm
Profondeur	510 mm

### Diamètres des vis de réglage

BRÛLEUR	Ø VIS DE RÉGLAGE 1/100 mm
Multi couronne	56
Rapide	50
Semi-rapide	35
Auxiliaire	28



## Autres caractéristiques techniques

PUISSANCE TOTALE :	Gaz d'origine :	G30/G31 (3B/P) 30/30 mbar	813 g/h
	Gaz de remplacement :	G20 (2H) 20 mbar	11,65 kW
Alimentation électrique :	220-240 V ~ 50-60 Hz		
Catégorie de l'appareil :	II2H3B/P		
Raccordement au gaz :	G 1/2"		
Classe de l'appareil :	3		


### Brûleurs à gaz pour LPG G30/G31 30/30 mbar


BRÛLEUR	PUISSANCE NORMALE kW	PUISSANCE MINIMALE kW	CARACTÉRISTIQUE DE L'INJECTEUR	DÉBIT DE GAZ NOMINAL g/h
Multi couronne	3,65	1,2	095	265
Rapide	2,85	0,95	86	207
Semi-rapide	1,85	0,6	71	134
Auxiliaire	1,0	0,33	50	73

### Brûleurs à gaz pour GAZ NATUREL G20 20 mbar

BRÛLEUR	PUISSANCE NORMALE kW	PUISSANCE MINIMALE kW	CARACTÉRISTIQUE DE L'INJECTEUR
Multi couronne	4,0	1,4	146
Rapide	2,95	0,75	119°
Semi-rapide	1,85	0,6	92
Auxiliaire	1,0	0,33	70

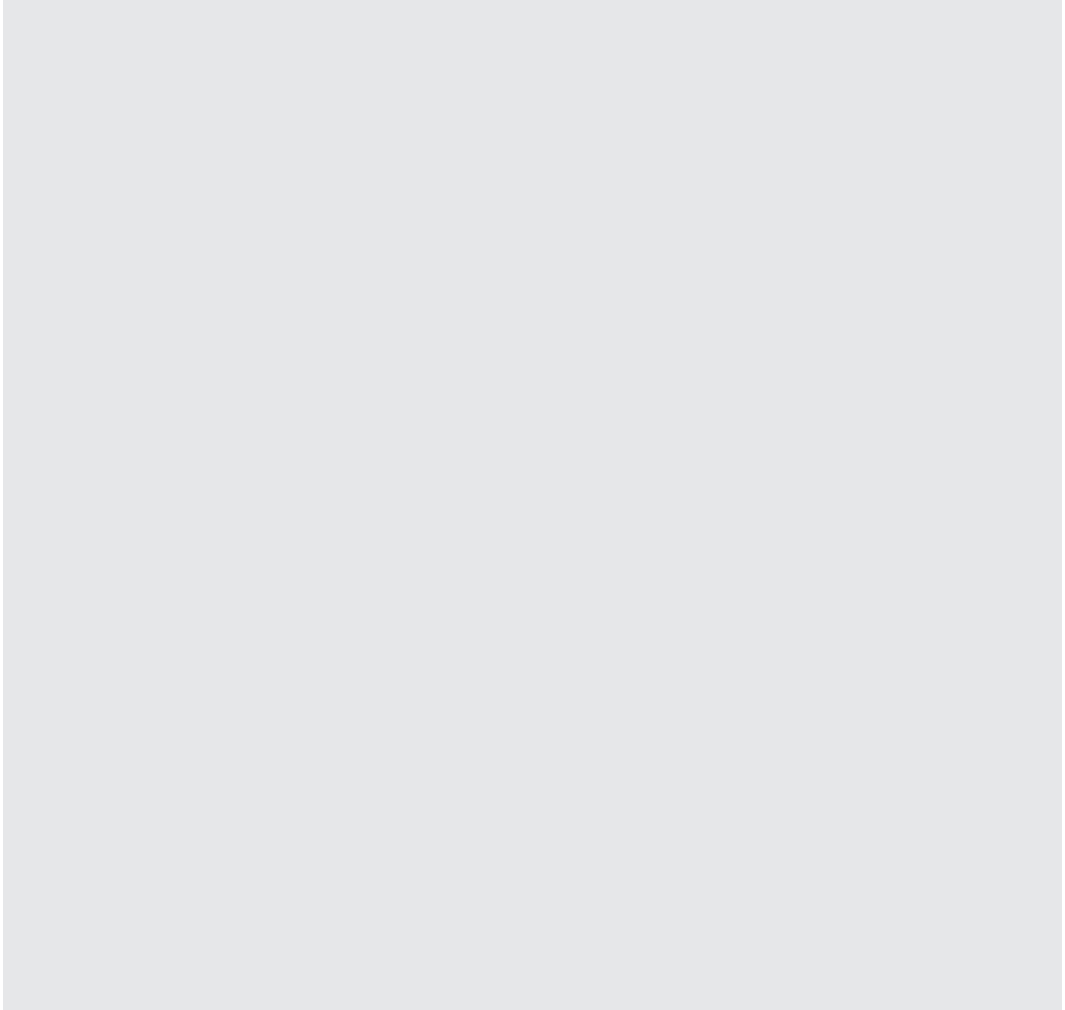
## EN MATIÈRE DE PROTECTION DE L'ENVIRONNEMENT

Recyclez les matériaux portant le symbole . Déposez les emballages dans les conteneurs prévus à cet effet. Contribuez à la protection de l'environnement et à votre sécurité, recyclez vos produits

électriques et électroniques. Ne jetez pas les appareils portant le symbole  avec les ordures ménagères. Emmenez un tel produit dans votre centre local de recyclage ou contactez vos services municipaux.







867345661-C-172019